

8390 Offset Round Entrance Pull Handles



Advantages at a glance

- 316 Marine Grade Stainless Steel
- Designed with your project's needs in mind
- High durability with concealed fixings
- Standard finishes: SSS and PSS
- Powdercoat and custom finishes available on request



AS1428 Compliant

dormakaba's Offset Round Entrance Pull Handles crafted with precision and excellence in mind, these handles are designed to elevate your space with their superior quality and attention to detail.

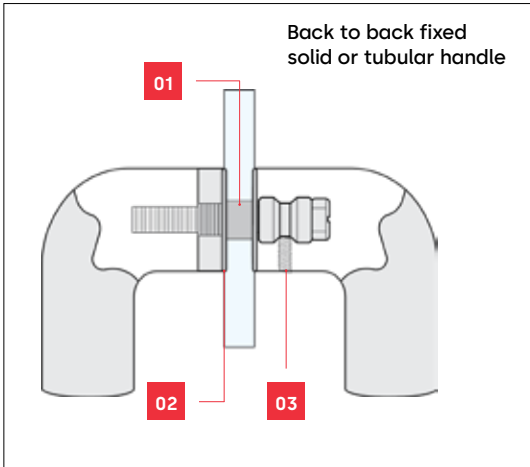
Made from premium 316 Marine Grade Stainless Steel, these handles are built to withstand the test of time, offering unmatched corrosion resistance for both indoor and outdoor use, even in high traffic areas. The offset round section design ensures effortless functionality, providing comfortable grip and ease of use.

Ideal for a variety of settings, from residential to commercial, these handles are versatile enough to be installed on glass, timber, and aluminium doors. Elevate your entrances with dormakaba's Offset Round Entrance Pull Handles and experience genuine quality that stands out in any space.

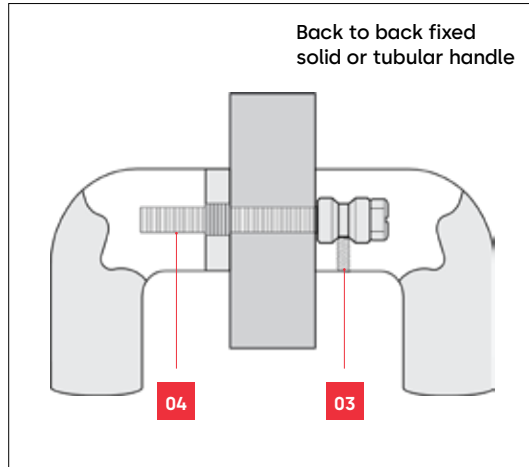
Refer to ordering details for a range of optional accessories to suit:

- Back to back extended fixing for timber doors
- Back to back fixing for glass doors
- Disc fixing for timber doors
- Disc fixing for glass doors

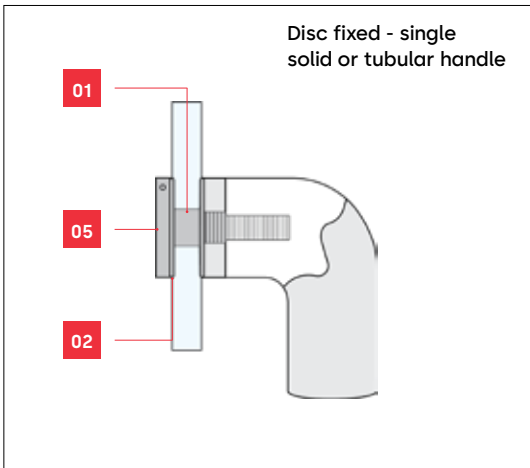
Fixing options



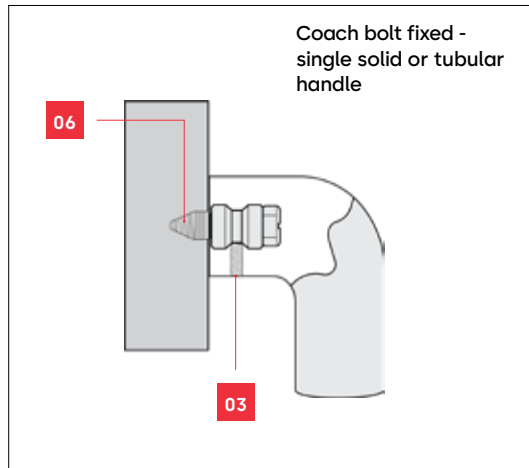
GD FIX - glass doors



TM FIX - timber or metal doors



D FIX - glass, metal or timber doors



C FIX - timber doors only

Note

Nylon spacers and washers are included with handle for glass door fixing option.

Legend

- 01 Spacer
- 02 Washer
- 03 Grub Screw
- 04 Bolt
- 05 Disc
- 06 Coach Bolt

TIMBER DOOR FIXING

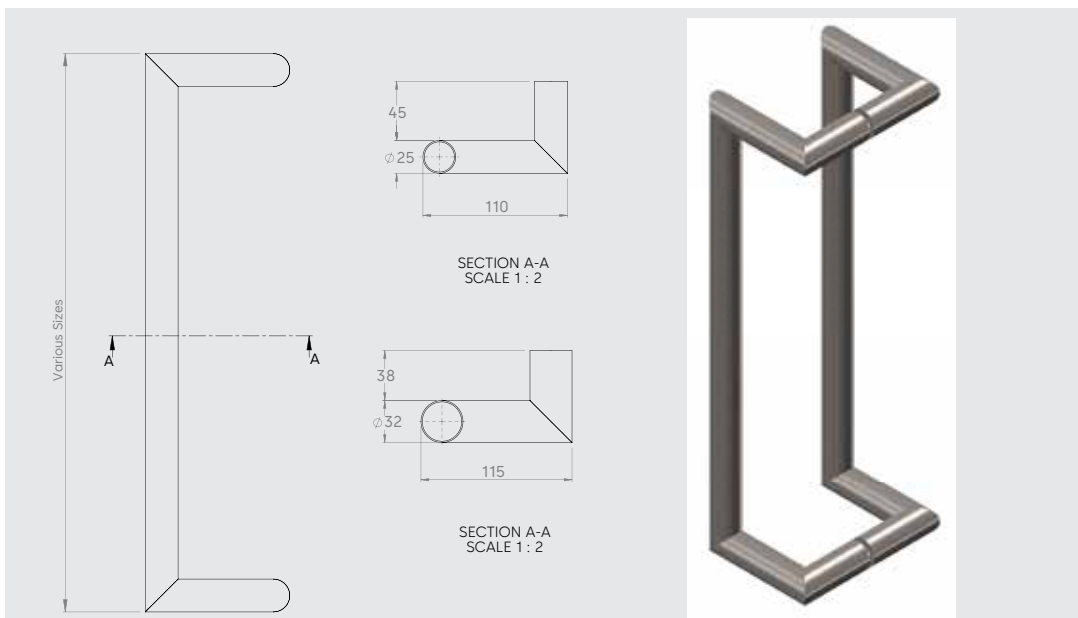
Material Size	Bolt Size
14mm Ø	5mm
16mm Ø	5mm
19mm Ø	8mm
25mm Ø	8mm
32mm Ø	8mm

METAL DOOR FIXING

Material Size	Bolt Size
14mm Ø	5mm
16mm Ø	5mm
19mm Ø	8mm
25mm Ø	8mm
32mm Ø	8mm

GLASS DOOR FIXING

Material Size	Bolt Size
14mm Ø	12mm Ø
16mm Ø	12mm Ø
19mm Ø	12mm Ø
25mm Ø	12mm Ø
32mm Ø	12mm Ø



8390 Offset Round dimensions

Ordering details

Item	Article Number	Description	Diameter	Projection	Width	Length	Fixing Centres
BACK TO BACK FIXING							
B8390/400/25/SSS	9458393534101	B8390/400/25 OA 425 CTC 400 SSS	25mm	70mm	110mm	425mm	400mm
B8390/400/25/SF	9400000016477	B8390/400/25 OA 425 CTC 400 SF	25mm	70mm	110mm	425mm	400mm
B8390/400/32/SSS	9458393535101	B8390/400/32 OA 432 CTC 400 SSS	32mm	77mm	115mm	432mm	400mm
B8390/400/32/SF	9400000016478	B8390/400/32 OA 432 CTC 400 SF	32mm	77mm	115mm	432mm	400mm
B8390/600/25/SSS	9458394734101	B8390/600/25 OA 625 CTC 600 SSS	25mm	70mm	110mm	625mm	600mm
B8390/600/25/SF	9400000016479	B8390/600/25 OA 625 CTC 600 SF	25mm	70mm	110mm	625mm	600mm
B8390/600/32/SSS	9458394735101	B8390/600/32 OA 632 CTC 600 SSS	32mm	77mm	115mm	632mm	600mm
B8390/600/32/SF	9400000016480	B8390/600/32 OA 632 CTC 600 SF	32mm	77mm	115mm	632mm	600mm
B8390/800/32/SSS	9458395815101	B8390/800/32 OA 832 CTC 800 SSS	32mm	77mm	115mm	832mm	800mm
B8390/800/32/SF	9400000016482	B8390/800/32 OA 832 CTC 800 SF	32mm	77mm	115mm	832mm	800mm
ACCESSORIES - EXTENDED FIXINGS							
TM/M8/50	9459508058200	M8/50 FERULE HEAD BOLT TM FIX	<p>Note: When ordering extended fixings please use the below formula.</p> <p>Door thickness + 20mm for the Ferule + 10mm in to the other handle = round up to the nearest size offered</p> <ul style="list-style-type: none"> • For single sided internal fixing, a disc fixing kit is required. • For concealed single sided fixing on timber, a concealed fixing kit is required. 				
TM/M8/75	9459758078200	M8/75 FERULE HEAD BOLT TM FIX					
TM/M8/90	9400000012887	M8/90 BOLT & 16MM FERULE TM FIX					
TM/M8/100	9400000012888	M8/100 BOLT & 16MM FERULE TM FIX					
TM/M8/110	9459118118200	M8/110 BOLT & 16MM FERULE TM FIX					
TM/M8/120	9459128128200	M8/120 BOLT & 16MM FERULE TM FIX					
TM/M8/130	9459138138200	M8/130 BOLT & 16MM FERULE TM FIX					
TM/M8/150	9459158158200	M8/150 BOLT & 16MM FERULE TM FIX					
ACCESSORIES - GLASS FIXINGS							
GF25/M8/50 RND	9459502588301	25 DIA RND GLASS FIXING PAIRS					
GF32/M8/50 RND	9459503288301	32 DIA RND GLASS FIXING PAIRS					
ACCESSORIES - EXTENDED FIXINGS							
DF25/M8/75 SSS	9400000014108	25MM DISK FIX PAIR M8X75MM SSS					
DF25/M8/75 PSS	9459752588102	25MM DISK FIX PAIR M8X75MM PSS					
DF32/M8/75 PSS	9459753288102	32MM DISK FIX PAIR M8X75MM PSS					
DF32/M8/75 SSS	9400000014109	32MM DISK FIX PAIR M8X75MM SSS					
ACCESSORIES - GLASS FIXINGS							
GDF32/M8/50 PSS	9459503288102	32MM GLASS DISK FIX PSS PAIR M8X50MM					
GDF32/M8/50 SSS	9459503288101	32MM GLASS DISK FIX SSS PAIR M8X50MM					

Ordering details

	Article Number	Description
ACCESSORIES - DISC FIX & CONCEALED FIXING KITS		
	9400000016706	DISK FIX KIT 25MM SF
	9400000016707	DISK FIX KIT 32MM SF
	9400000016703	DISK FIX KIT 25MM
	9400000016704	DISK FIX KIT 32MM
	9400000016705	CONCEALED FIXING KIT

Any questions? We would be happy to advise you.

dormakaba Australia | info.au@dormakaba.com | T 1800 675 411 | www.dormakaba.com.au
dormakaba New Zealand | info.nz@dormakaba.com | T 0800 436 762 | www.dormakaba.co.nz

Subject to change without notice 000227 | 10.24